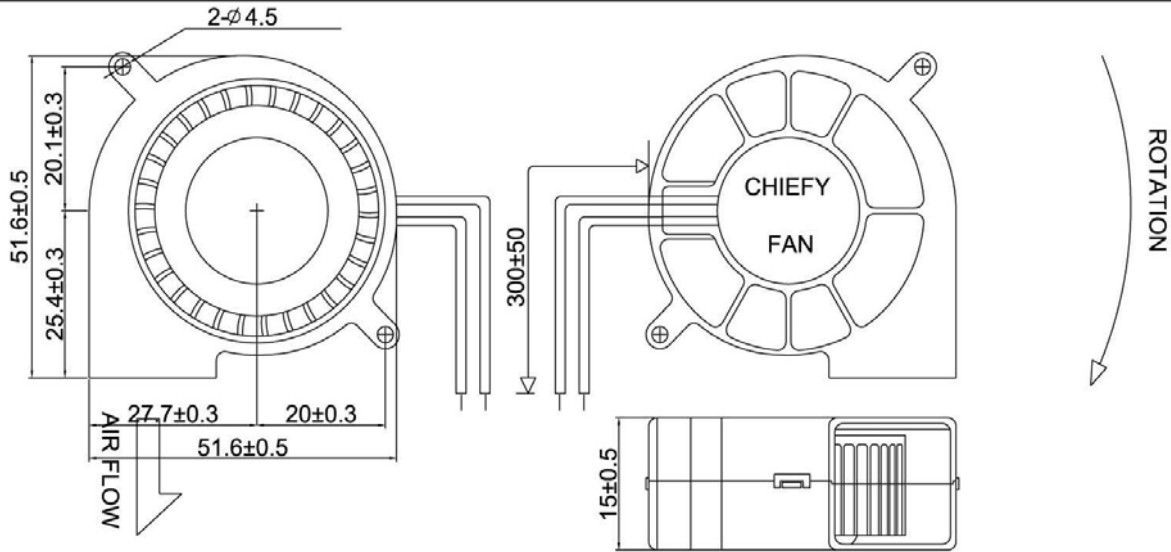


50*50*15mm
DC Brushless Blower



BYDF-5015
SIZE:50*50*15
BEAR TYPE:BALL OR SEELVE
WEIGHT:50G

DIMENSIONS



SPEC

| Model No. | Voltage (V) | Bearing System ● Sleeve ○ One Ball ◎ Two Ball | Current (A) | Speed (RPM) | Air Flow (CFM) | Static Pressure (mmH2O) | Noise Level (dBA) |
|-------------|-------------|--|-------------|-------------|----------------|-------------------------|-------------------|
| BYWF-5015 H | 12 | ● ◎ | 0.16 | 5000 | 4.43 | 11.56 | 38.06 |
| BYWF-5015 M | | ● ◎ | 0.13 | 4500 | 3.74 | 8.12 | 34.72 |
| BYWF-5015 L | | ● ◎ | 0.09 | 3500 | 3.02 | 6.46 | 27.48 |
| BYWF-5015 H | 24 | ● ◎ | 0.14 | 5000 | 4.43 | 11.56 | 38.06 |
| BYWF-5015 M | | ● ◎ | 0.1 | 4500 | 3.74 | 8.12 | 34.72 |
| BYWF-5015 L | | ● ◎ | 0.07 | 3500 | 3.02 | 6.46 | 27.48 |